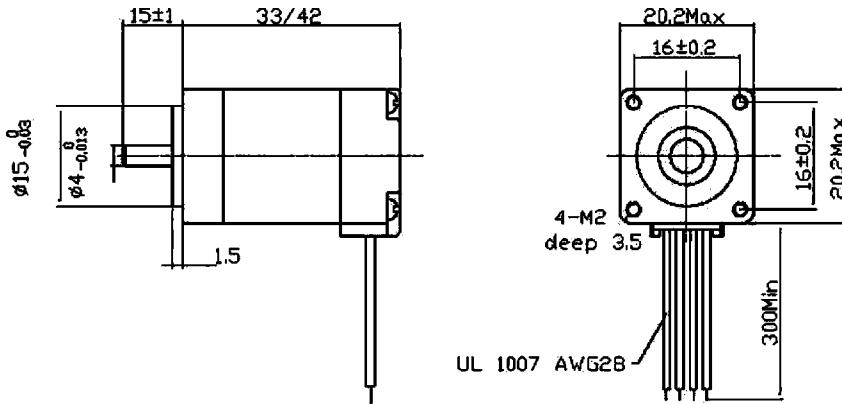


20SH33-42

DPM Hybrid Step Motor

High Torque 200 - Step



Specifications			
MODEL		20SH33-0604A	20SH42-0804A
STEP ANGLE		1.8°	1.8°
STEP ANGLE ACCURACY (FULL STEP,NO LOAD) %		±5%	±5%
RATED VOLTAGE	V	3.96	4.32
CURRENT/PHASE	A	0.6	0.8
RESISTANCE/PHASE	Ω	6.5	5.4
INDUCTANCE/PHASE	mH	1.7	1.5
HOLDING TORQUE	Ncm	1.75	3.0
ROTOR INERTIA	G-CM ²	2	3.6
WEIGHT	KG	0.06	0.08
NUMBER OF LEADS	N°	4	4

20SH...-A single shaft • 20SH...-B double shaft

Speed vs. Torque Characteristics

