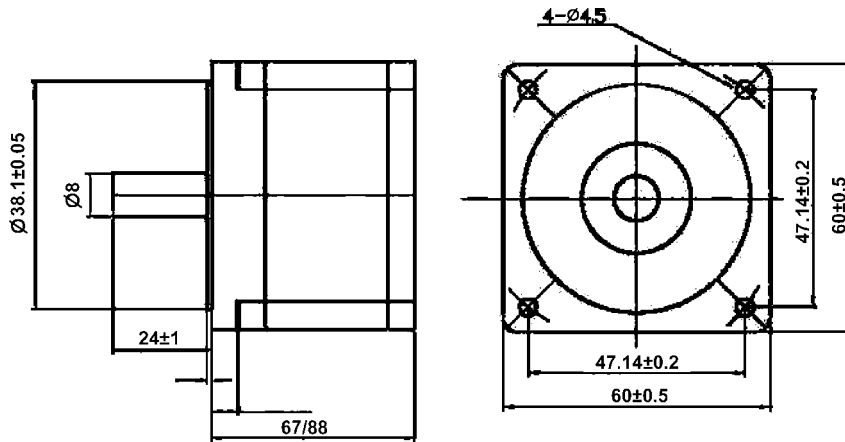


60SH65-86

High Torque 200 - Step

DPM Hybrid Step Motor



Specification

MODEL	60SH65-2008AF.000			60SH86-2008AF.000		
	Unipolar	Bipolar		Unipolar	Bipolar	
		Parallel	Series		Parallel	Series
STEP ANGLE	1.8°	1.8°	1.8°	1.8°	1.8°	1.8°
STEP ANGLE ACCURACY (FULL STEP,NO LOAD) %	±5%	±5%	±5%	±5%	±5%	±5%
PHASE	4	2	2	4	2	2
RATED VOLTAGE V	4.8	3.36	6.72	6	4.17	8.4
CURRENT/PHASE A	2	2.8	1.4	2	2.8	1.4
RESISTANCE/PHASE Ω	2.4	1.2	4.8	3	1.5	6
INDUCTANCE/PHASE mH	4.6	4.6	18.4	6.8	6.8	27.2
HOLDING TORQUE Ncm	150	210	210	220	310	310
ROTOR INERTIA G-CM ²	570	570	570	840	840	840
WEIGHT KG	1.2	1.2	1.2	1.4	1.4	1.4
NUMBER OF LEADS N°	8	8	8	8	8	8

60SH...A single shaft • 60SH...B double shaft

